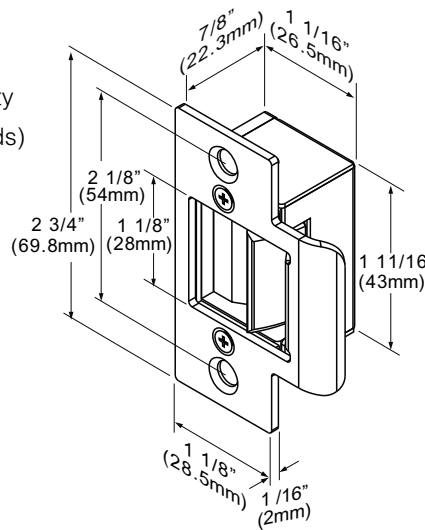


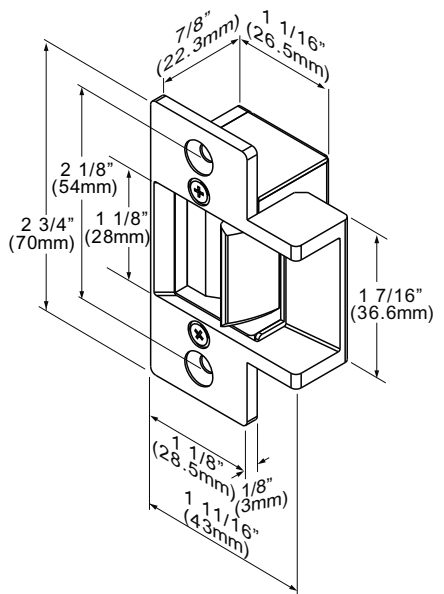
GK1700 Series Electric Strike Installation Instructions

Specifications

- Voltages: 12 or 24 VDC,
3 to 6 VDC or 8 to 16 VAC Intermittent Duty
(Intermittent use: Not to exceed 10 seconds)
- Current Draw: 280mA/12VDC, 140mA/24VDC
- Operating Temperature: 14° to 120°F (-10° to 49°C)
- Humidity: 0%~85% Non-Condensing
- Latch Throw: 1/2" (13mm)
- Keeper Width: 1-1/8" (28mm)
- Cycle Test: 250,000+ cycles
- Static Strength: 1,000 lbs (454 kg)
- Strike Body: Zinc Alloy
- Faceplate Finish:
GK1700-01 Series: US32D Brushed Stainless Steel
GK1700-02 Series: Silver
GK1700-03 Series: US40 Duroc (Dark Bronze)
- Lock Mode: Fail-secure
- Swing Door Direction: Inswing

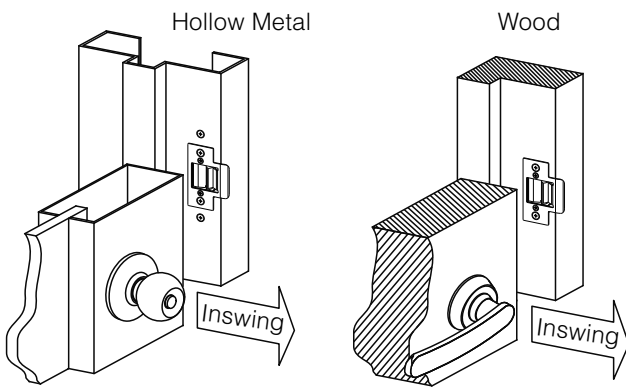


GK1700-01 Series

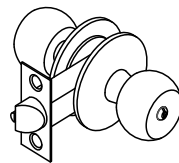


GK1700-02 / 03 Series

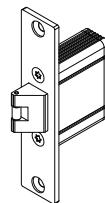
Frame Applications



Compatible Locks

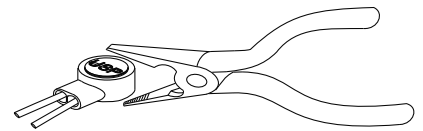


Cylindrical Lock



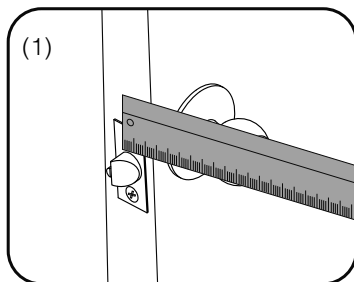
GEM LS-2200 Door Latch
(Sold separately)

Installing the Crimp Connectors

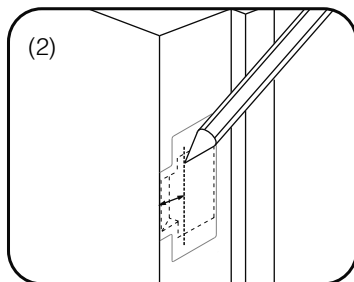


Place the wire inside the connector and use pliers to press down on the head of the connector evenly.

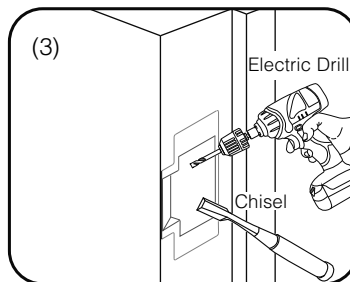
Installation Instructions for Wood Door Application



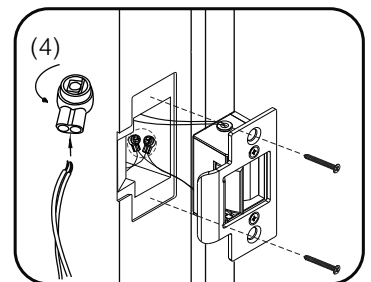
Measure latch position



Mark latch position line



Drill and cut the frame



Connect the wires using the crimp connectors, then test the strike, ensure you give it correct voltage

Note: Please ensure that there is no back pressure on the keeper from the latch. As with most strike this may cause the strike to bind and malfunction. It could also cause undo pressure on the solenoid and eventual failure of the strike.